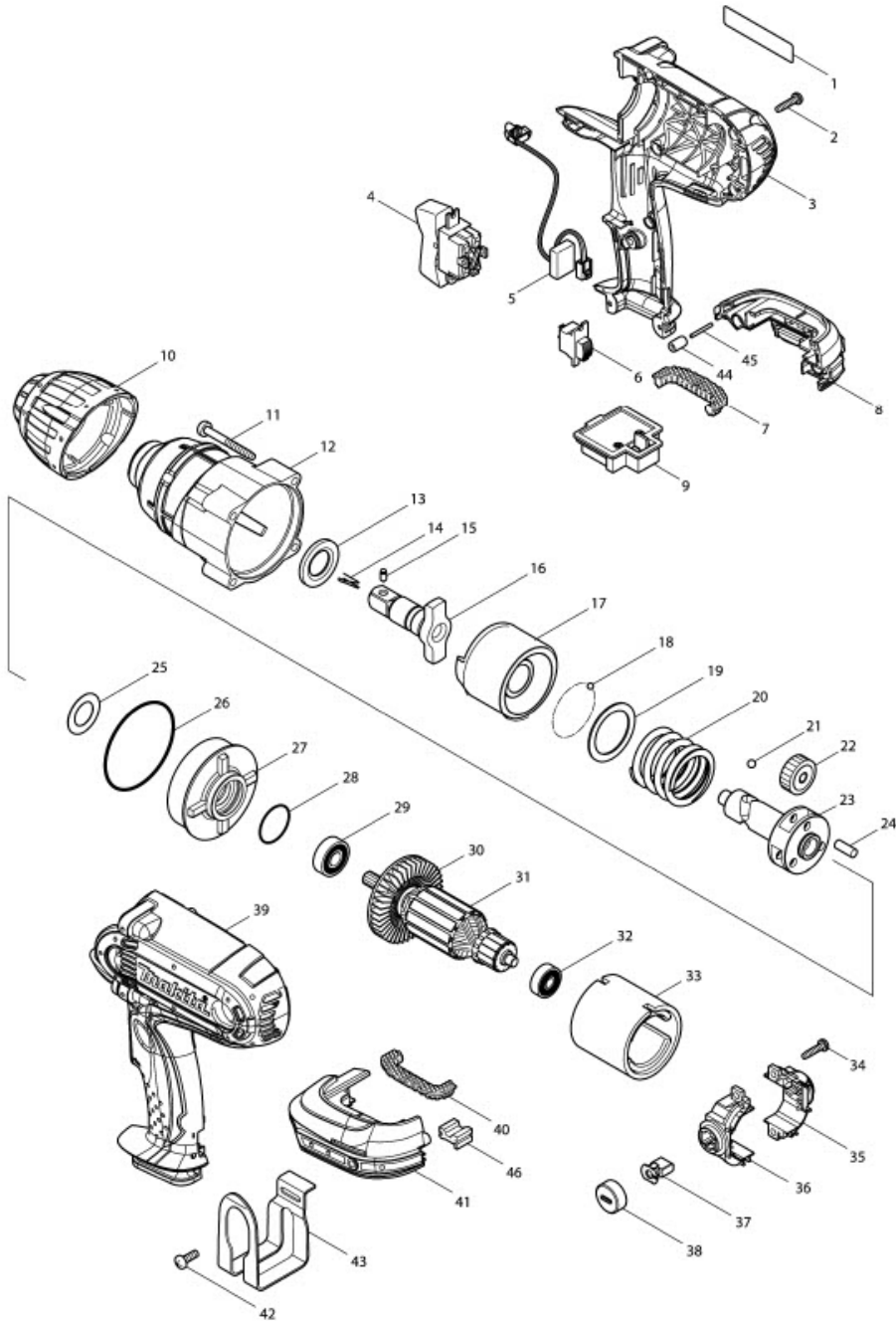


Part Diagram

Model No.DTW450 CORDLESS IMPACT WRENCH



Item	Sub	Parts No.	Parts Description	Qty
1		850H18-7	DTW450 NAME PLATE	1
001-1		857K22-5	DTW450 NAME PLATE	1
2		265995-6	TAPPING SCREW 4X18	9
3		188434-8	HOUSING SET	1
3	C10	263025-7	RUBBER PIN 4	4
3	D10		INC. 39	
4		651572-4	SWITCH SL220SD-19	1
5		631738-2	LIGHT CIRCUIT	1
6		638503-0	SWITCH UNIT	1
7		424042-4	CUSHION RUBBER	1
8		187873-9	BATTERY HOUSING SET	1
8	C10	263005-3	RUBBER PIN 6	2
8	D10		INC. 41	
9		643843-3	TERMINAL	1
009-1		643844-1	TERMINAL	1
009-1C		643844-1	TERMINAL	1
10		421971-2	BUMPER	1
11		266056-5	TAPPING SCREW 5X45	4
12		158076-2	HAMMER CASE COMPLETE	1
13		267268-3	FLAT WASHER 19	1
14		231907-1	RING SPRING 10	1
16		324406-1	ANVIL	1
016-1		326983-9	ANVIL	1
016-1C		326983-9	ANVIL	1
17		324697-4	HAMMER	1
18		216008-6	STEEL BALL 4	29
19		267340-1	FLAT WASHER 32	2
20		234338-3	COMPRESSION SPRING 33	1
21		216007-8	STEEL BALL 6.4	2
22		227171-0	SPUR GEAR 23	3
23		310185-7	SPINDLE	1
24		256033-5	PIN 6	3
25		253794-8	FLAT WASHER 18	1
26		213722-5	O RING 63	1
27		227172-8	INTERNAL GEAR 53	1
28		213407-3	O RING 26	1
29		210059-1	BALL BEARING 6000DDW	1
30		241850-6	FAN 60	1
31		519199-5	ARMATURE ASS'Y 18V	1
31	D10		INC. 29,30,32	
32		210025-8	BALL BEARING 627LLB	1
33		638107-8	YOKE UNIT	1
34		265995-6	TAPPING SCREW 4X18	2
35		643818-2	BRUSH HOLDER	1
035-1		643531-2	BRUSH HOLDER	1
36		643823-9	BRUSH HOLDER	1
036-1		643532-0	BRUSH HOLDER	1
37		194435-6	CARBON BRUSH CB-441	1
38		643941-3	BRUSH HOLDER CAP	2
038-1		643829-7	HOLDER CAP	2
038-1C		643829-7	HOLDER CAP	2
39		188434-8	HOUSING SET	1
39	C10	263025-7	RUBBER PIN 4	4
39	D10		INC. 3	
40		424042-4	CUSHION RUBBER	1
41		187873-9	BATTERY HOUSING SET	1
41	C10	263005-3	RUBBER PIN 6	2
41	D10		INC. 8	

Item	Sub	Parts No.	Parts Description	Qty
42		251314-2	+ SCREW M4X12	1
43		345736-7	HOOK	1
44		263036-2	RUBBER PIN 5	1
45		268184-2	PIN 1.5	1
46		424026-2	CUSHION	1
046-1		424476-1	CUSHION	1
046-1C		424476-1	CUSHION	1
47		857K23-3	DTW450 SERIAL NO. LABEL	1
A01		***DC18RC	DC18RC FAST CHARGER	1
A02-1A		196399-0	BATTERY BL1840 SET	2
A02-2A		197265-4	BATTERY BL1840B SET	2
A02-2C		197600-6	BATTERY BL1830B SET	2
A02-3A		197265-4	BATTERY BL1840B SET	2
A02-3C		197600-6	BATTERY BL1830B SET	2
A03		450128-8	BATTERY COVER	1
A04		141644-8	PLASTIC CASE COMPLETE	1
A04A	C10	163467-4	LATCH	2
A05A		804R36-7	DTW450RME MODEL NO. LABEL	1
A05-1A		807N34-6	DTW450RME MODEL NO. LABEL	1
A05-1C		807N25-7	DTW450RFE MODEL NO. LABEL	1